

ISO CE
CERTIFIED



TECHART INDIA

An extensive range of Equipment & Services
for the Healthcare Industry

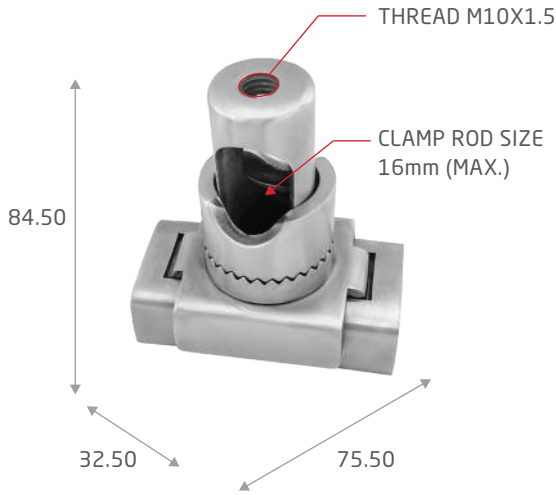


V1.2023

PRODUCT CATALOGUE

OPERATING THEATRE
ACCESSORIES

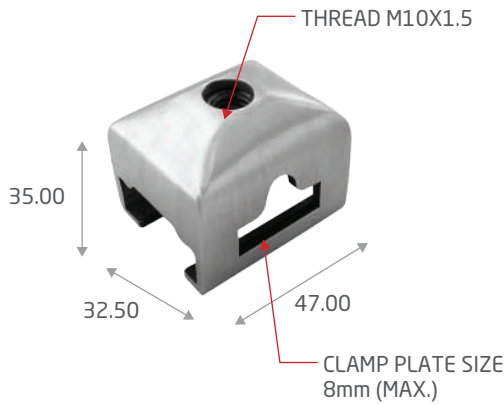
OPERATING TABLE
SUPPORTS



TAI-2201

Rotation Accessory Clamp

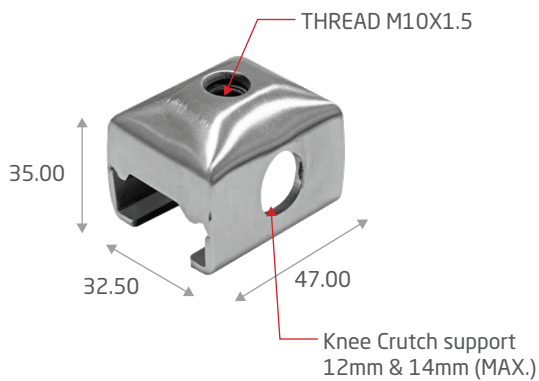
- Stainless steel (304/202)
- Side rail size: 30x8 mm



TAI-2202

Accessory Clamp

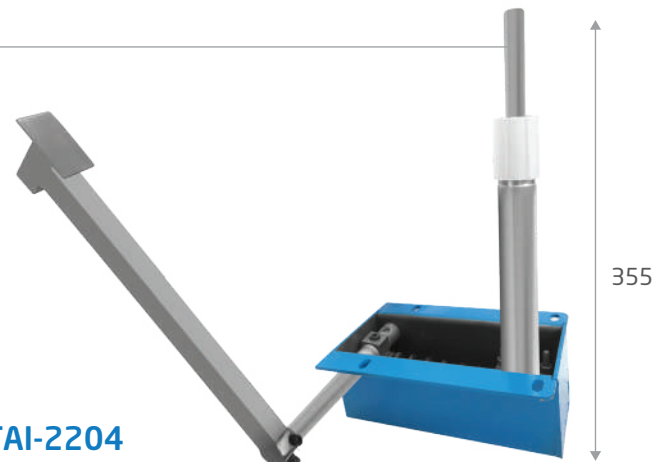
- End on flat bar
- Stainless steel (304/202)
- Side rail size: 30x8 mm



TAI-2203

Knee Crutch Support

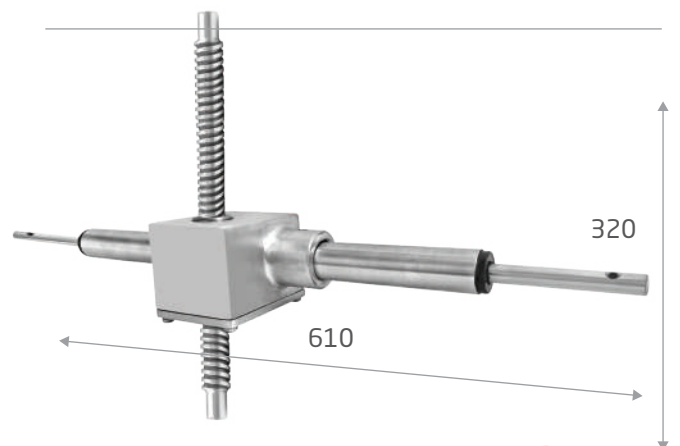
- Stainless steel (304/202)
- Rod size: 14/16 mm



TAI-2204

Hydraulic Pump

- Pedal Pump
- Stroke Length: 250 mm



TAI-2205

Gear Box

- Stroke Length: 305 mm
- Also available in Wooden Finish



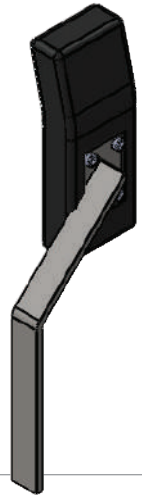


Designed to fit all Table models



TAI-2206
Albee Type
Ortho Attachment Ratchet
• Stainless Steel (304)

TAI-2209
Shoulder Support
• Stainless steel (304/202)



THREAD
3/8 BSW

THREAD
M10X1.5

TAI-2207
Knee Crutch Support Goli
• Stainless Steel (304/202)
• Rod Size: 14/16 mm

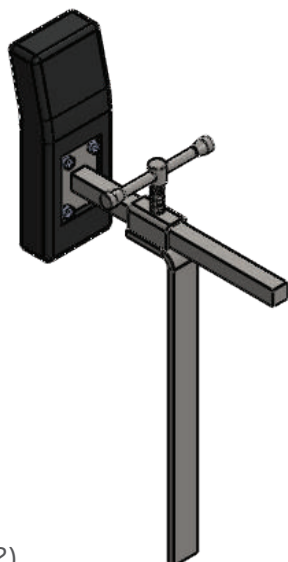


TAI-2210
Handle
• Stainless steel (304/202)
• Also available in Thread 3/8 BSW

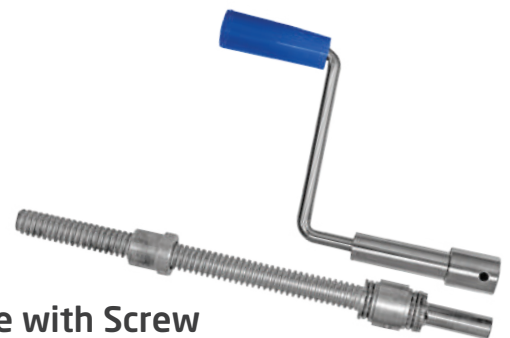
THREAD
M10X1.5



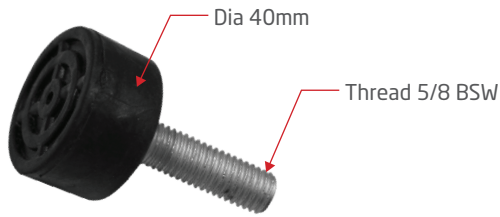
TAI-2211
Rotation Shoulder Support (TKR)
• Stainless steel 304



TAI-2208
Side Support (Pair)
• Stainless steel (304/202)



TAI-2212
Bed handle with Screw
• Available in 13" and 10" Screw length
• Folding Bed Handle



TAI-2213

Table Floor Lock Bush

- Dia 40mm
- Thread 5/8 BSW



TAI-2216

Buffer

- Available in 4" and 5" Dimension



TAI-2214

Arm Rest



TAI-2217

OT Table Mattress

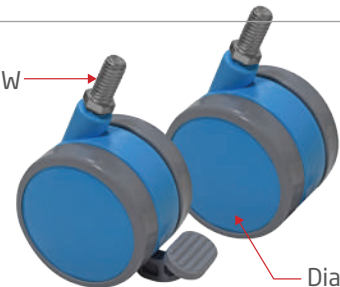
- Option of PU and Foam material
- Customized as per OT table dimension



TAI-2215

Knee Crutch with Foot Rest

Thread 3/8 BSW



Dia 60mm

TAI-2218

Wheels 60 mm

- Thread 3/8 BSW
- Wheel Dia 60mm

**OPERATING THEATRE ACCESSORIES
OPERATING TABLE SUPPORTS**

All TECHART INDIA Operating Table Accessories and Supports are manufactured in-house using medical grade, non magnetic Stainless Steel with a greatly improved resistance to corrosion over other Stainless Steels and are designed to fit all table models.

- High quality Stainless Steel.
- Designed to fit all table models.
- No sharp flaking as with plating.
- Replacement pads can be supplied separately.
- Can be custom made to meet your requirements.
- High quality accessory pads, fully bonded, no stitching with interior high resilient foam.



TECHART INDIA

Ground Floor, 254, Sector-D,
DSIIDC Industrial Area, Bawana-II
Bhorganh, Delhi-110040, India

Phone: +91 97292 74178
+91 88519 13009
Email: techartmetal@gmail.com

Download Catalogue

